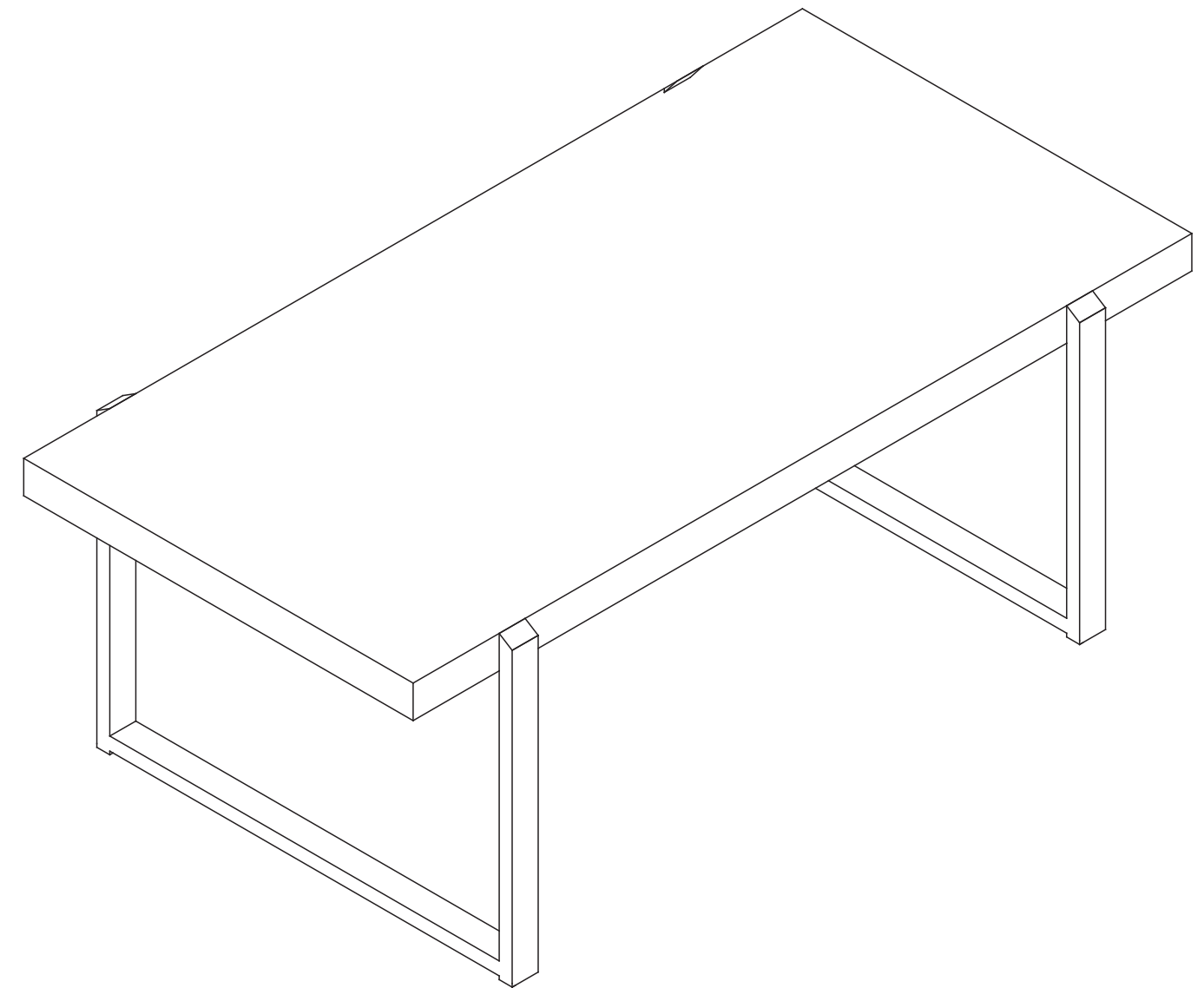


FTLFCT-0010  
FTLFCT-0011



**COFFEE TABLE**

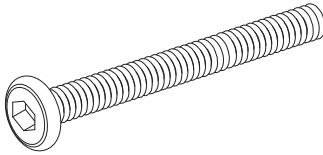
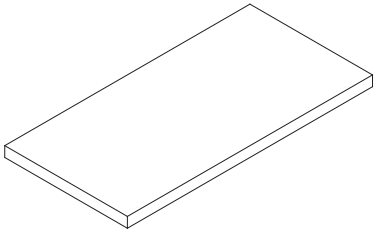
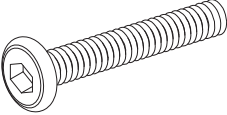
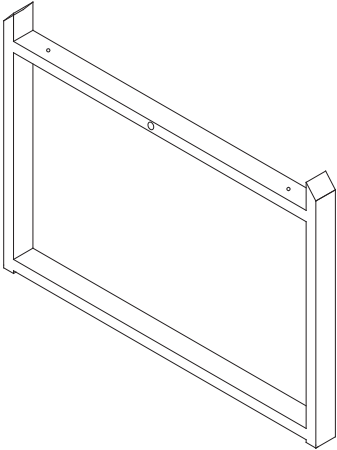
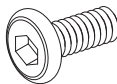
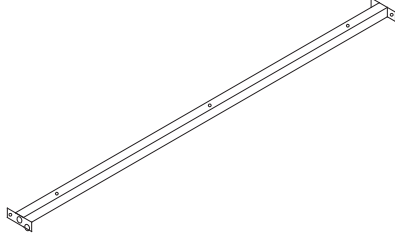
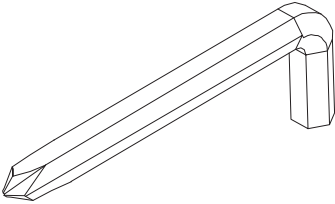
### CONTACT US:

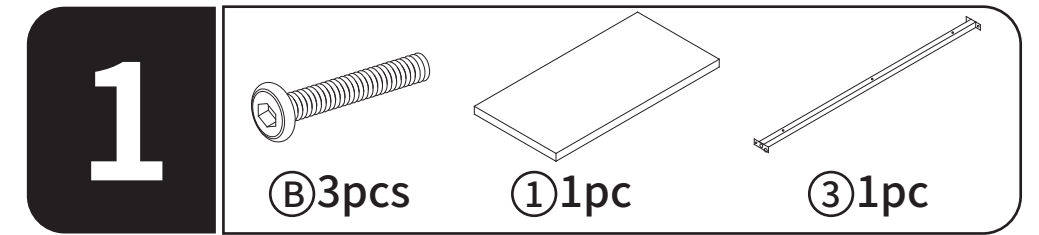
If you have any questions about the installation of YITAHOME products, just contact us at +1 (888) 717-8084 from Mon-Fri 8:00 AM-4:30 PM PST / Sat. 8:00 AM-12:00 PM PST or e-mail us at [after-sale.cs@hotmail.com](mailto:after-sale.cs@hotmail.com)

Alternative method to contact us (amazon.com orders only)

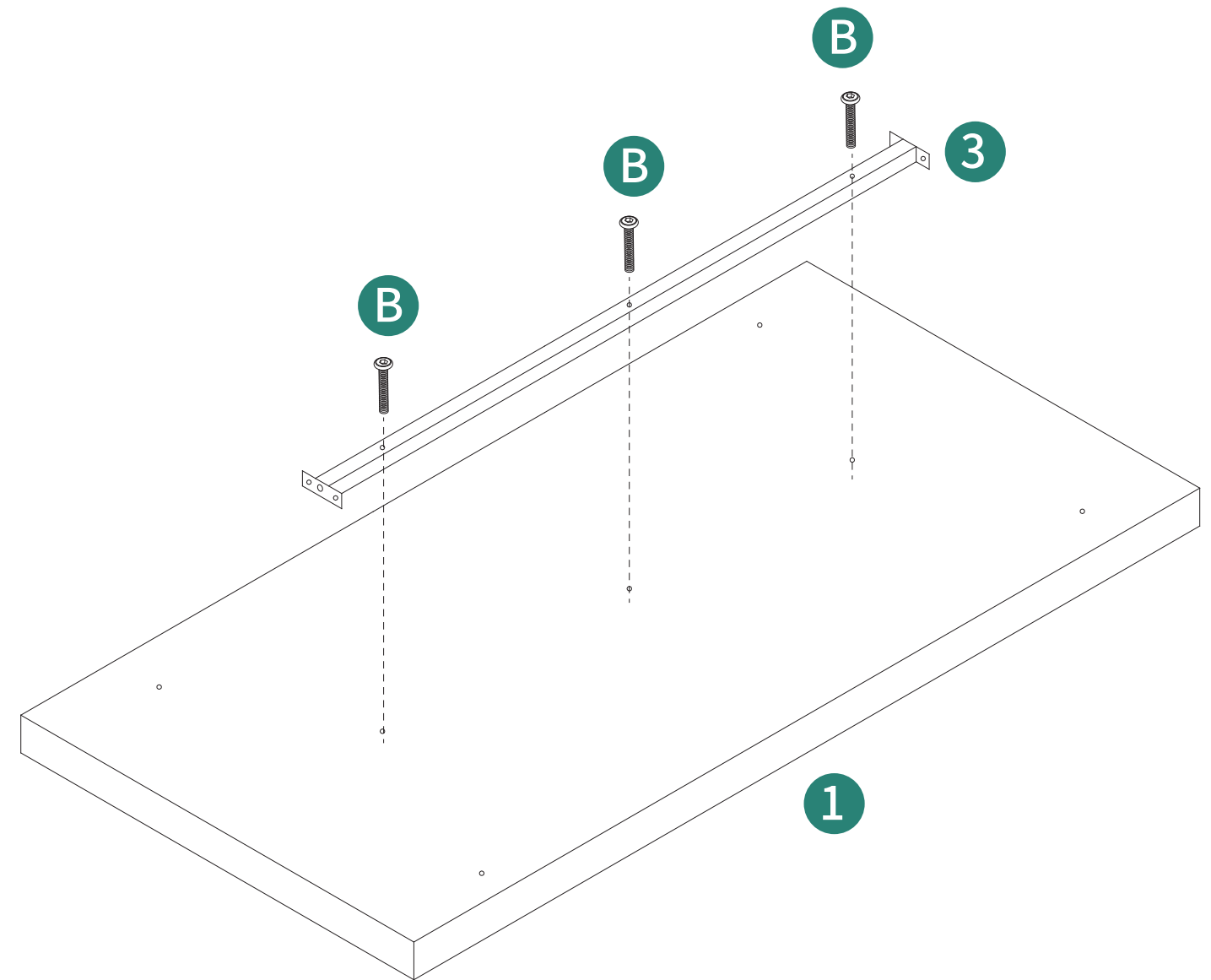
1. Log into your Amazon account
2. Go to "Your Orders" and find the purchase
3. Click on "Contact Seller"

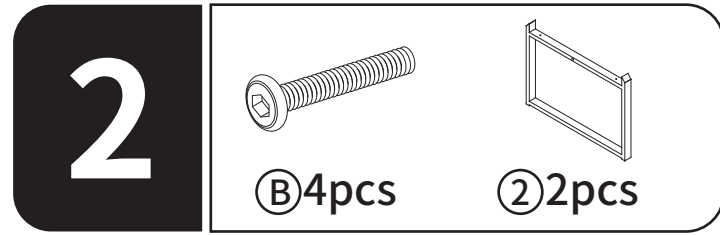
- ⚠ 1. Gather and organize all required parts prior to assembly.
- 2. Assemble on a flat, clean and soft surface.

Item no.	Reference Image	Qty.	Item no.	Reference Image	Qty.
A	 M6 X 55MM	X2	1		X1
B	 M6 X 30MM	X7	2		X2
C	 M6 X 12MM	X4	3		X1
D		X1			

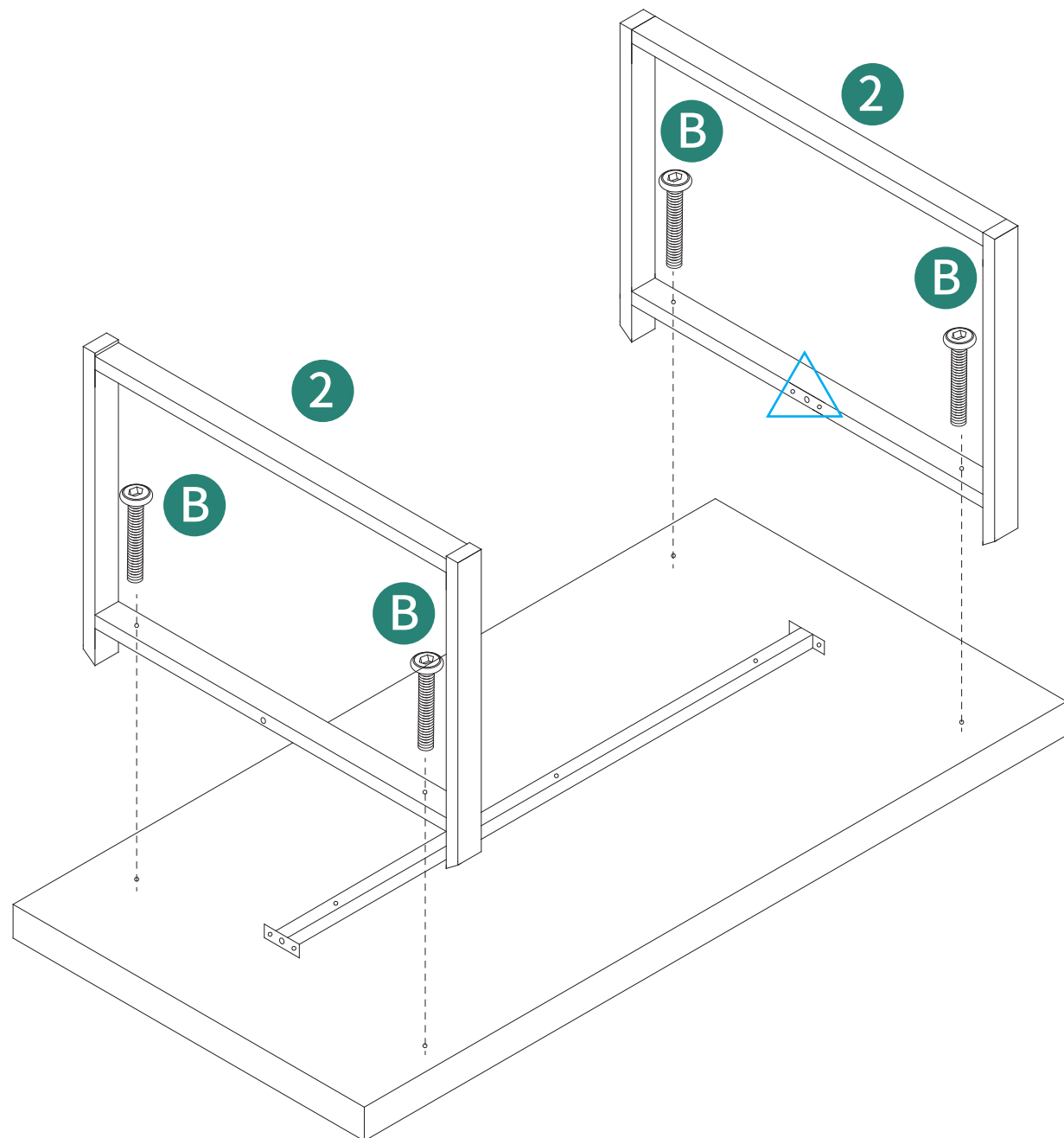


Do not tighten all the screws until after completing step 4.

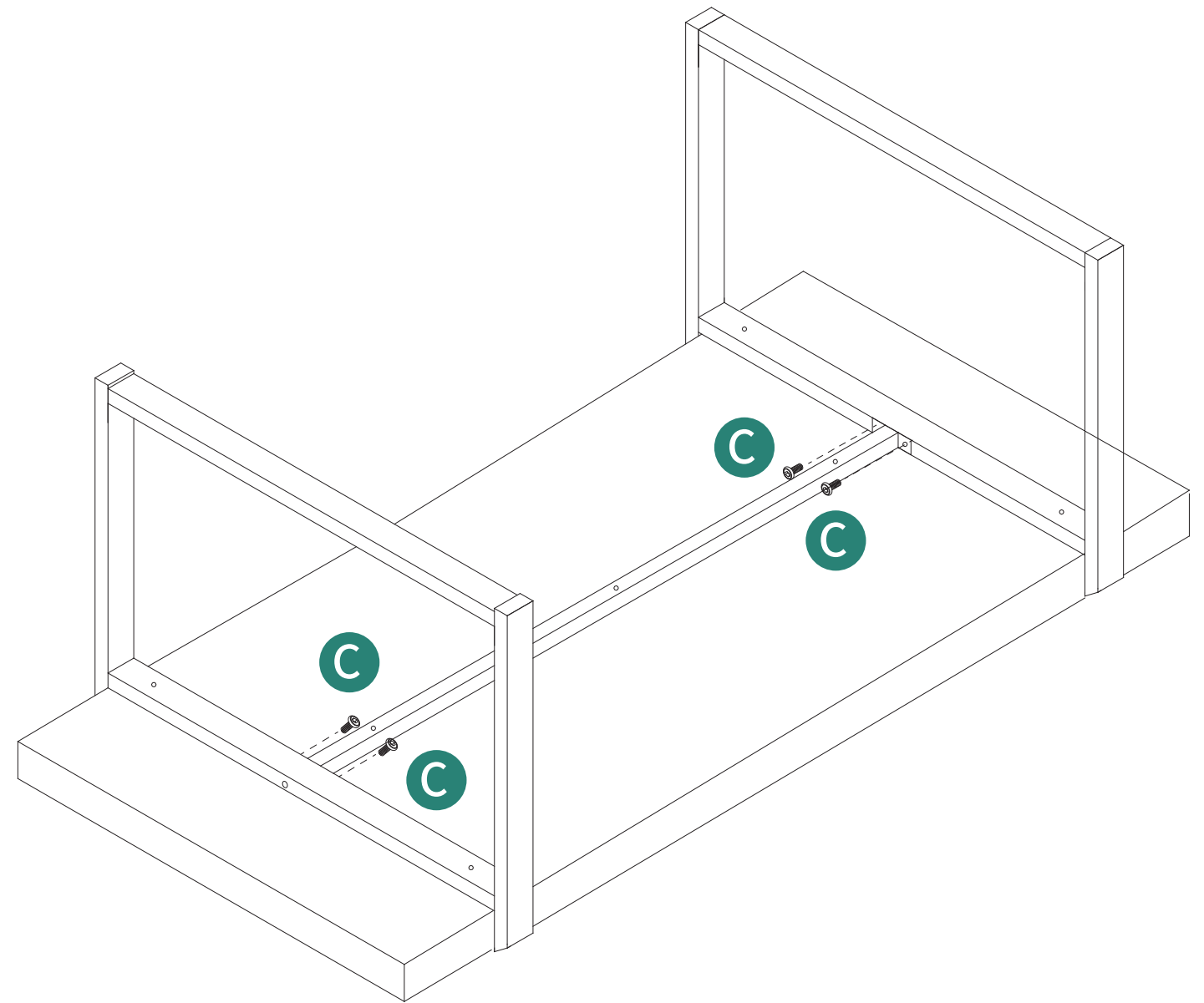
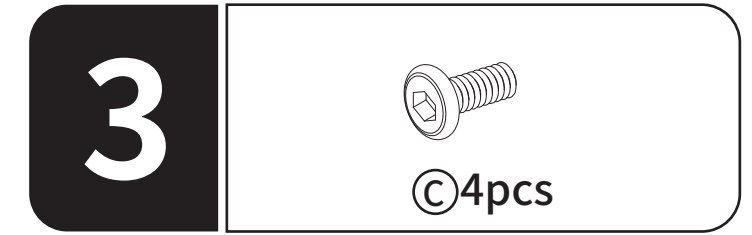




△ The three holes on part #2, (indicated using a triangle), should face inward during assembly as seen in the picture below. Do not tighten all the screws until after completing step 4.

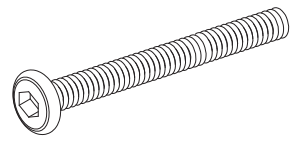


3



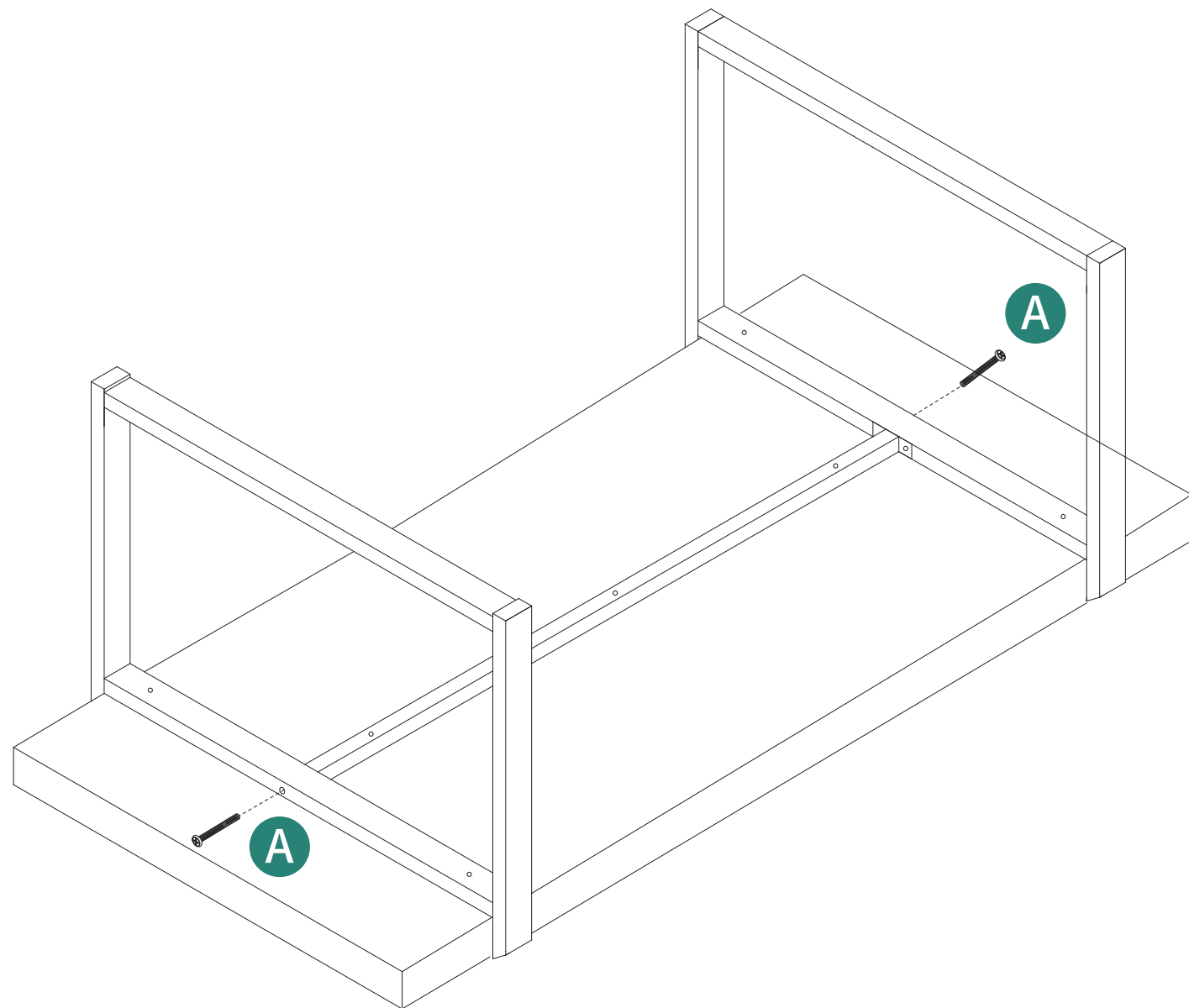
4

# 4



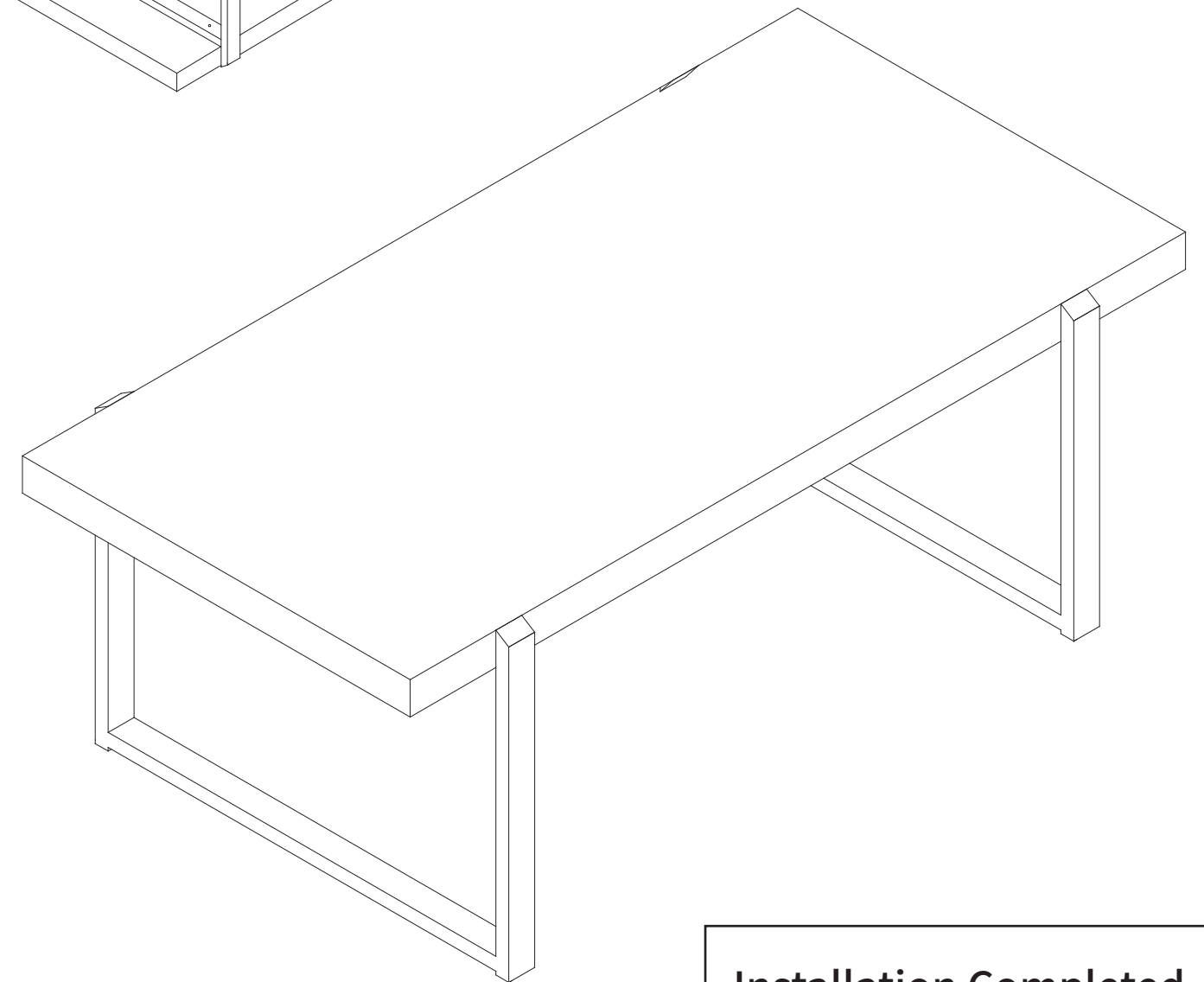
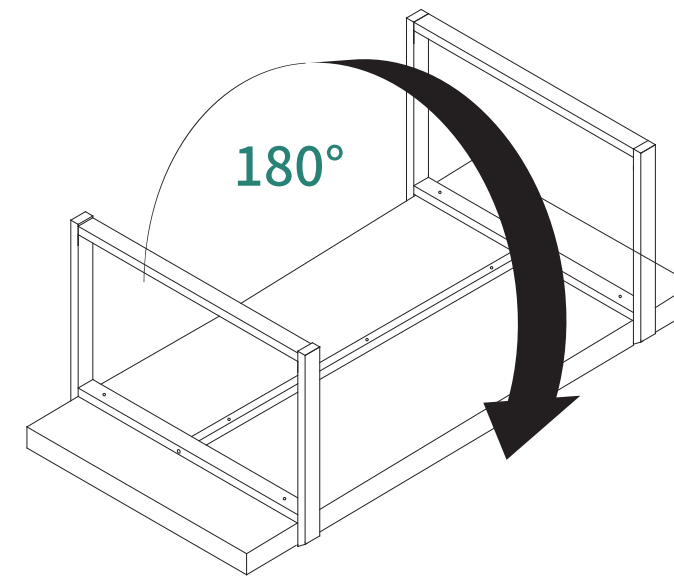
Ⓐ 2pcs

Tighten all the screws.



5

# 5



Installation Completed

6