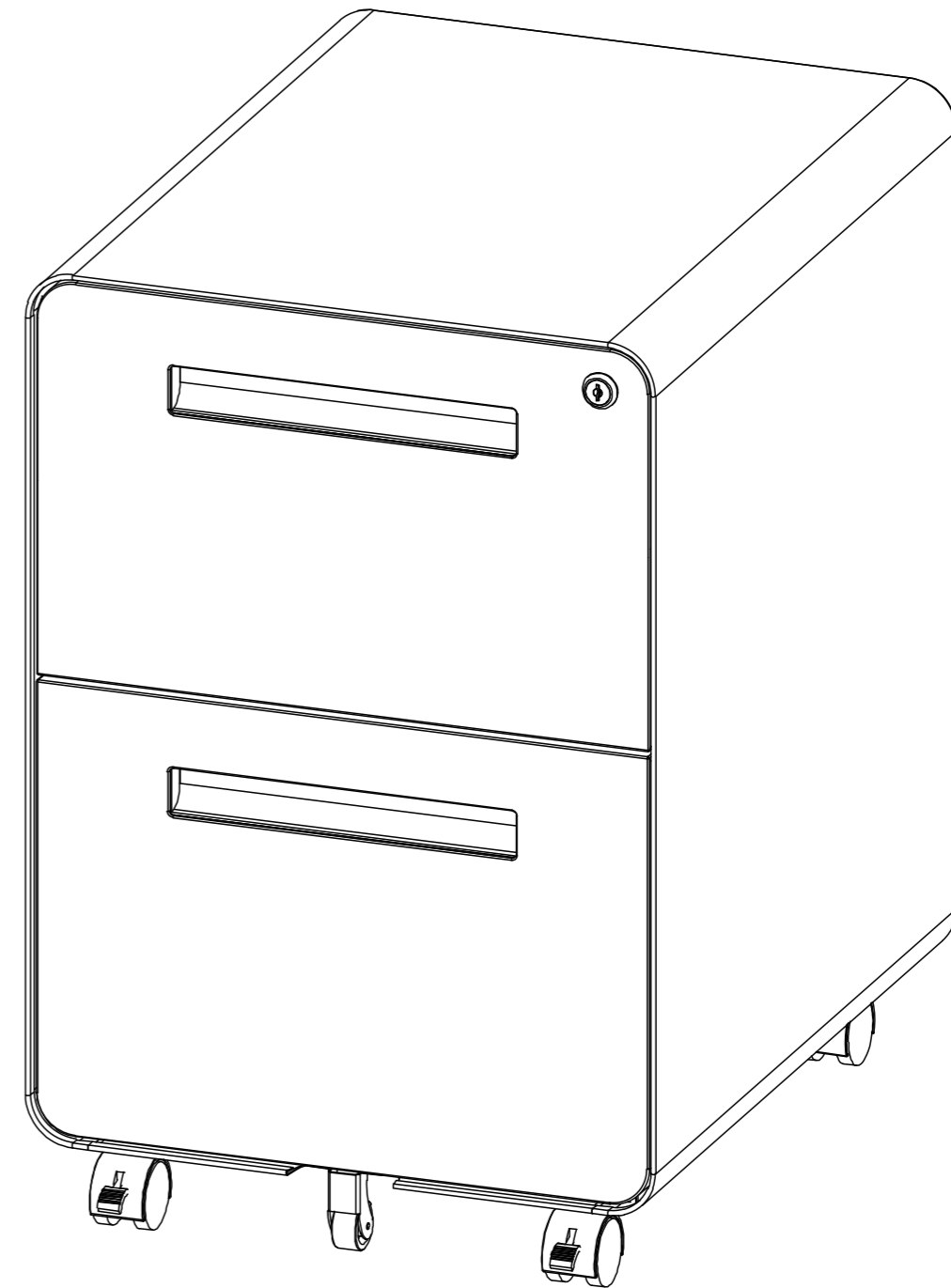


FTOFSF-0051
FTOFSF-0052



2-DRAWER MOBILE FILE CABINET

CONTACT US:

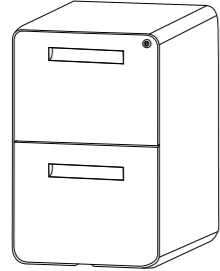
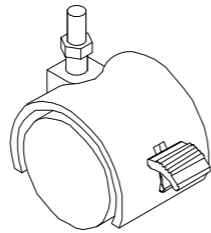
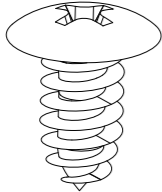
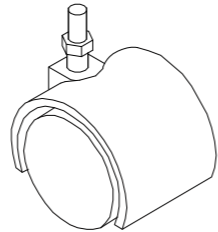
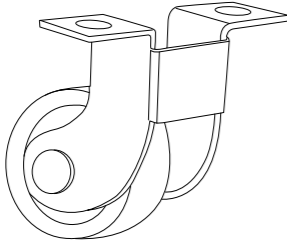
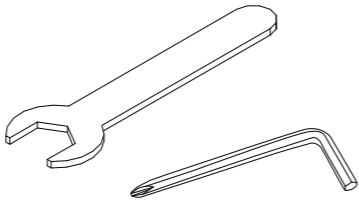
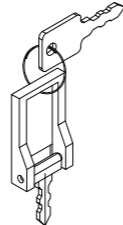
If you have any questions about the installation of YITAHOME products, just contact us at +1 (888) 717-8084 from Mon-Fri 8:00 AM-4:30 PM PST / Sat. 8:00 AM-12:00 PM PST or e-mail us at after-sale.cs@hotmail.com

Alternative method to contact us (amazon.com orders only)


1. Log into your Amazon account
2. Go to "Your Orders" and find the purchase
3. Click on "Contact Seller"

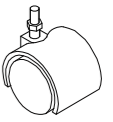
⚠ Attention: If you notice any fingerprints on the surface please know that they were left there during manual lifting. Simply clean the surface using a cloth and rubbing alcohol.

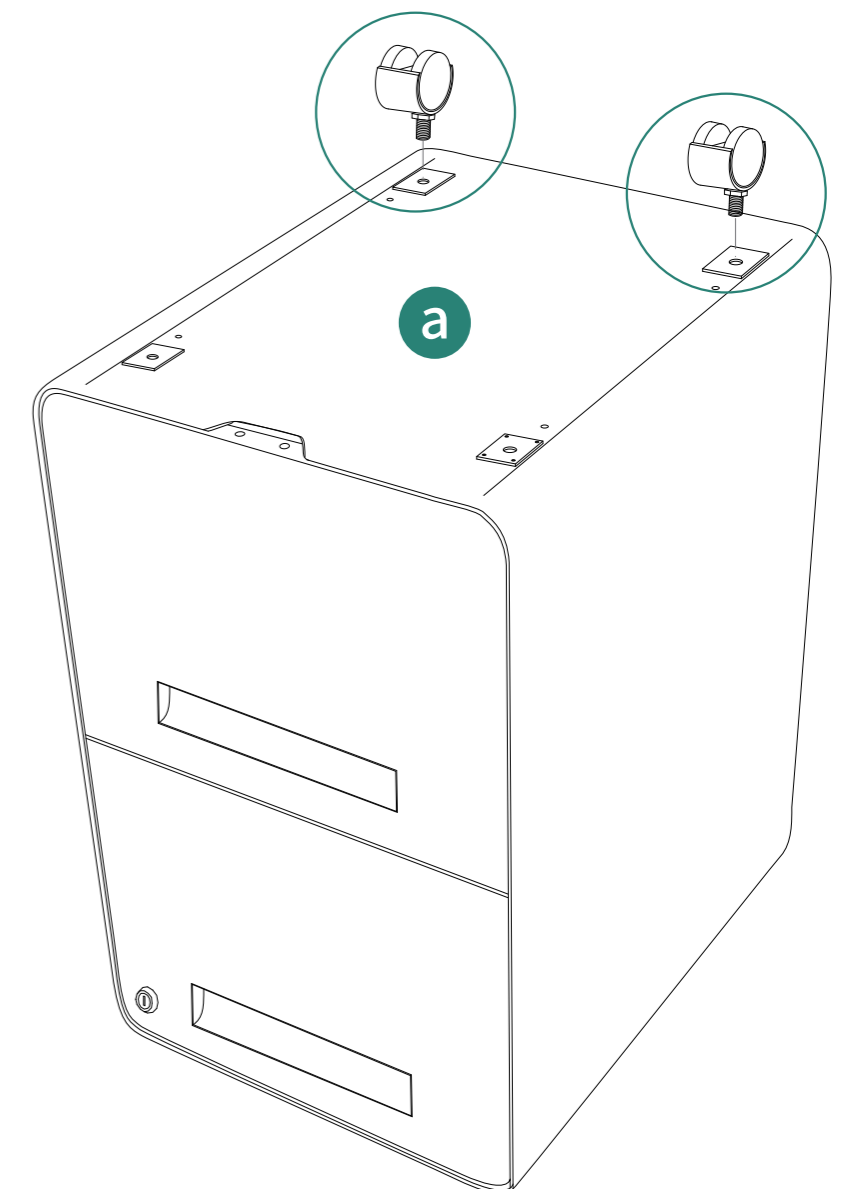
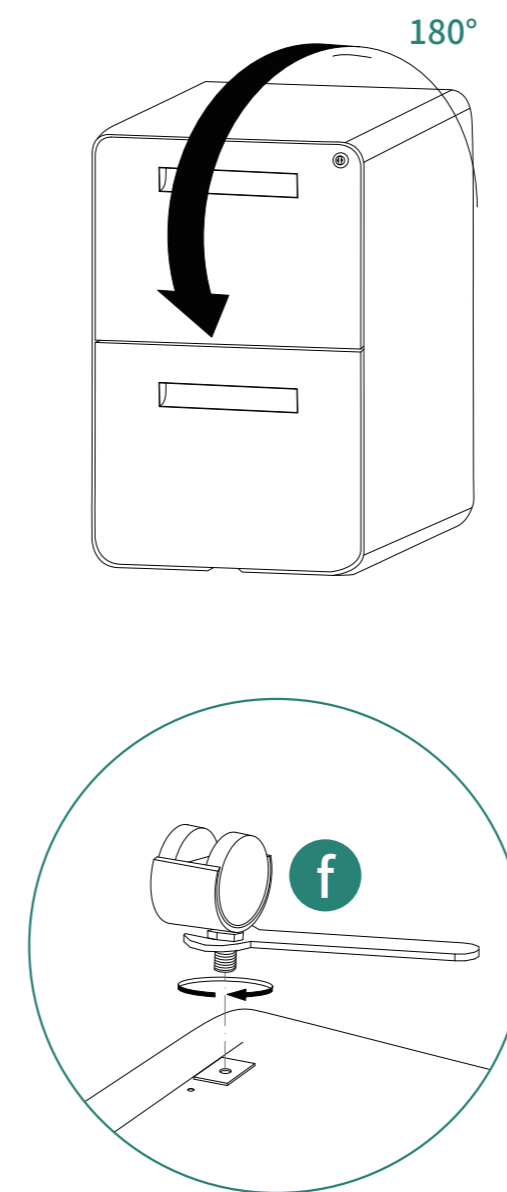
1. Gather and organize all required parts before assembling.
2. Assemble cabinet on a flat, clean, soft surface.

Item no.	Reference Image	Qty.	Item no.	Reference Image	Qty.
a		X1	e		X2
b	 M4X12mm	X4	f		X2
d		X1	h		X1
					X1

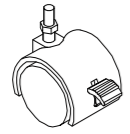
1


 a 1pc

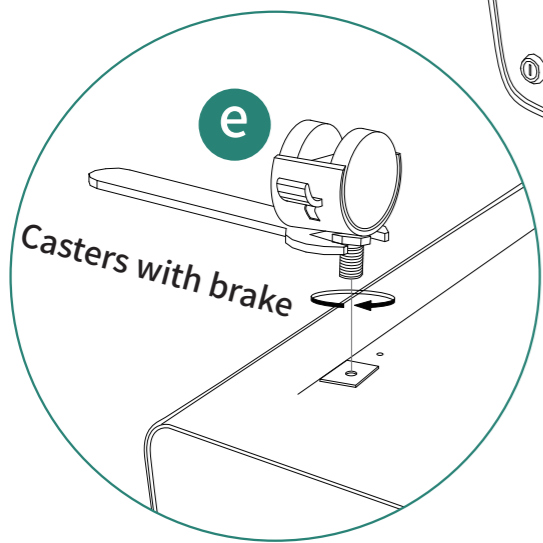
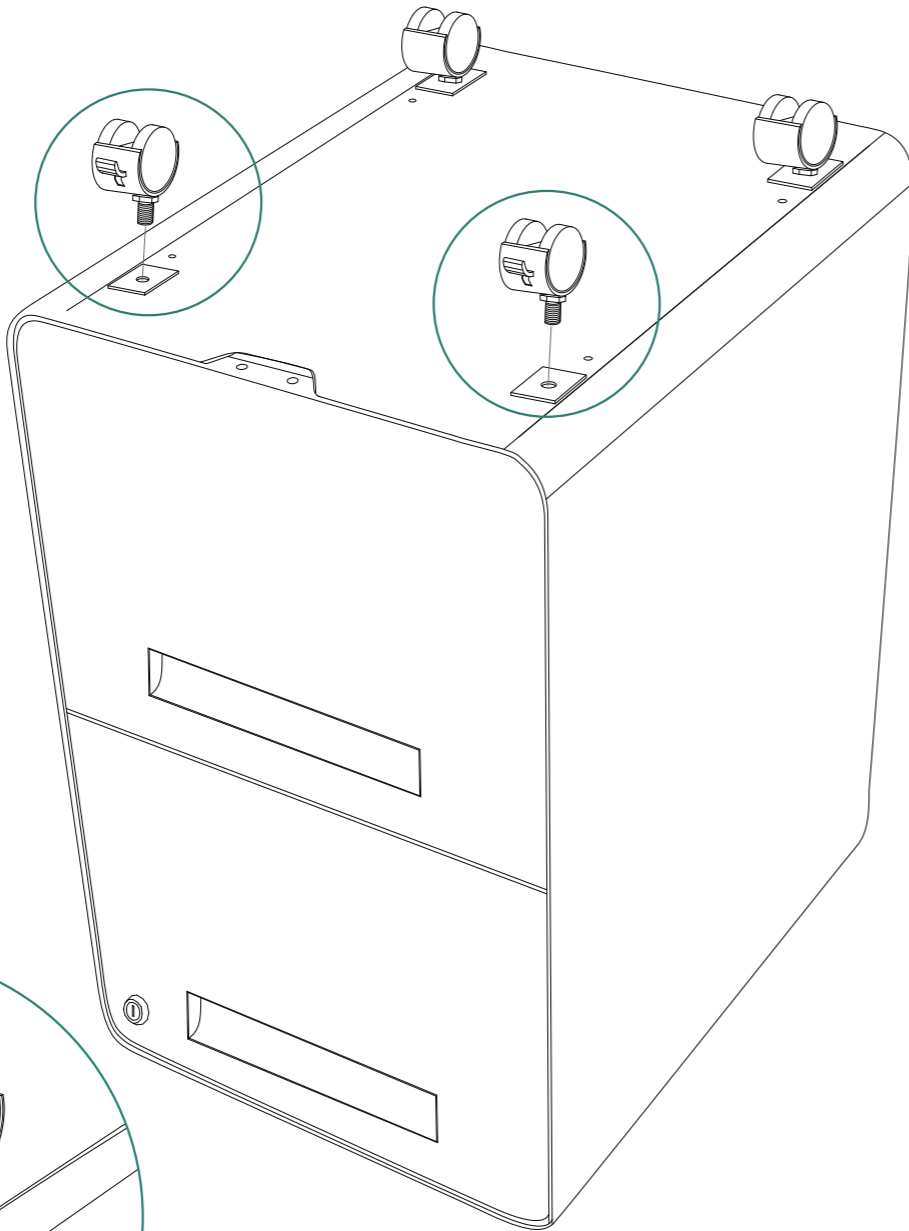

 f 2pcs



2

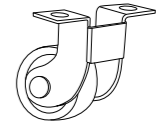


ⓔ2pcs



3

3

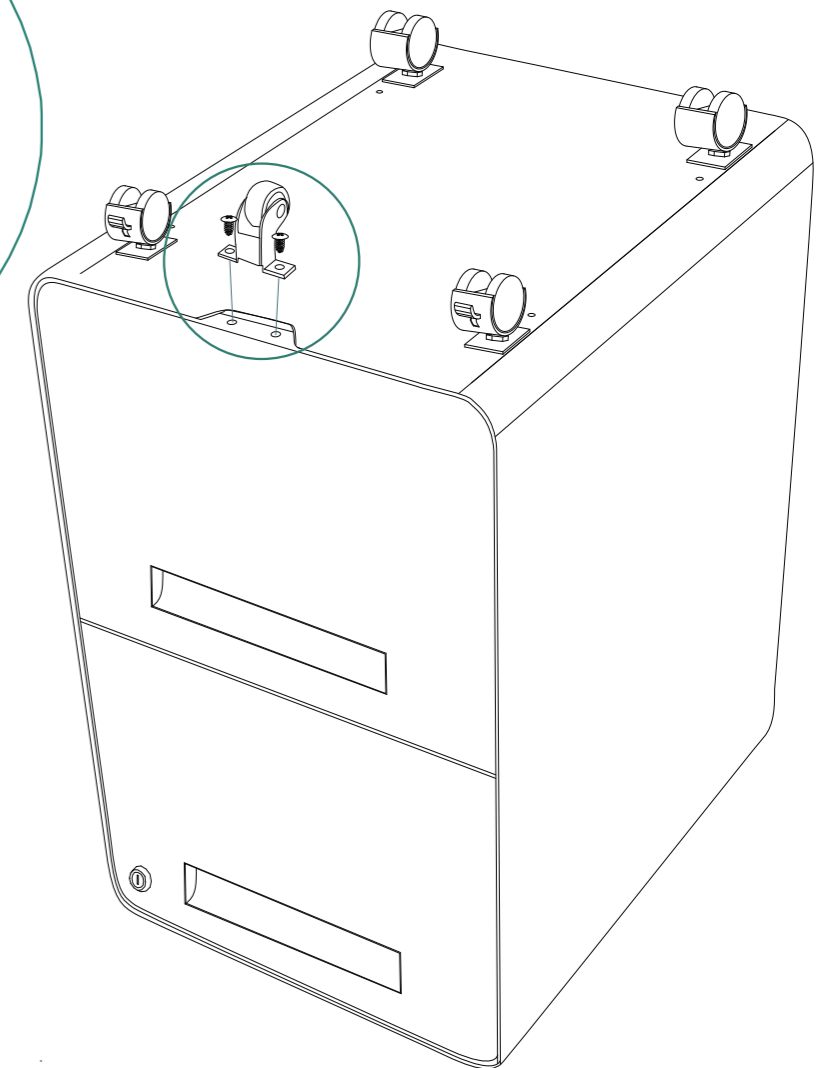
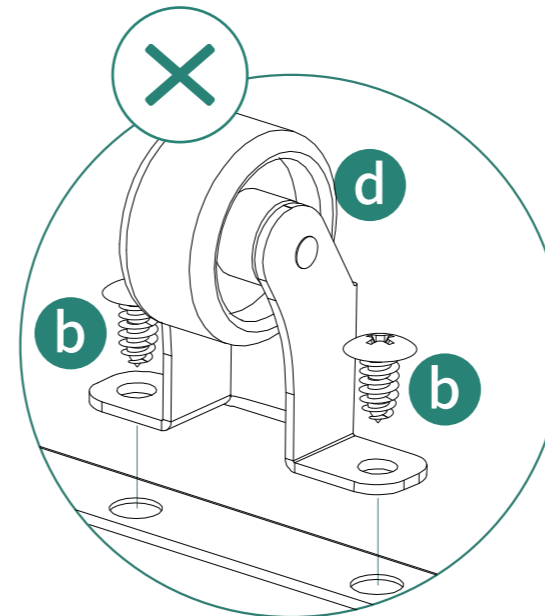
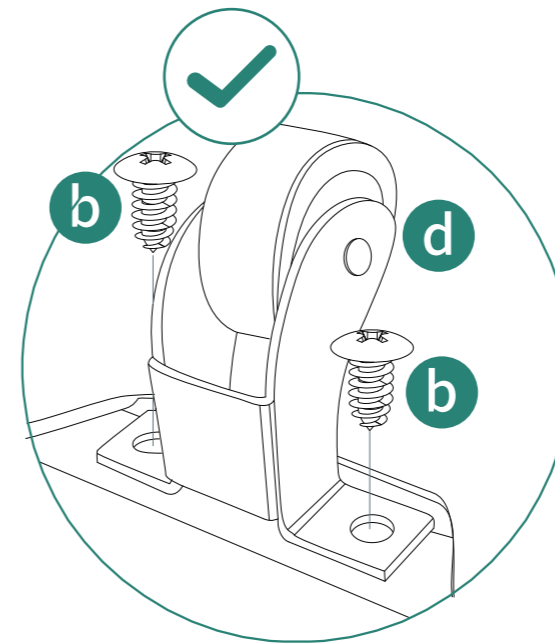


ⓓ1pc



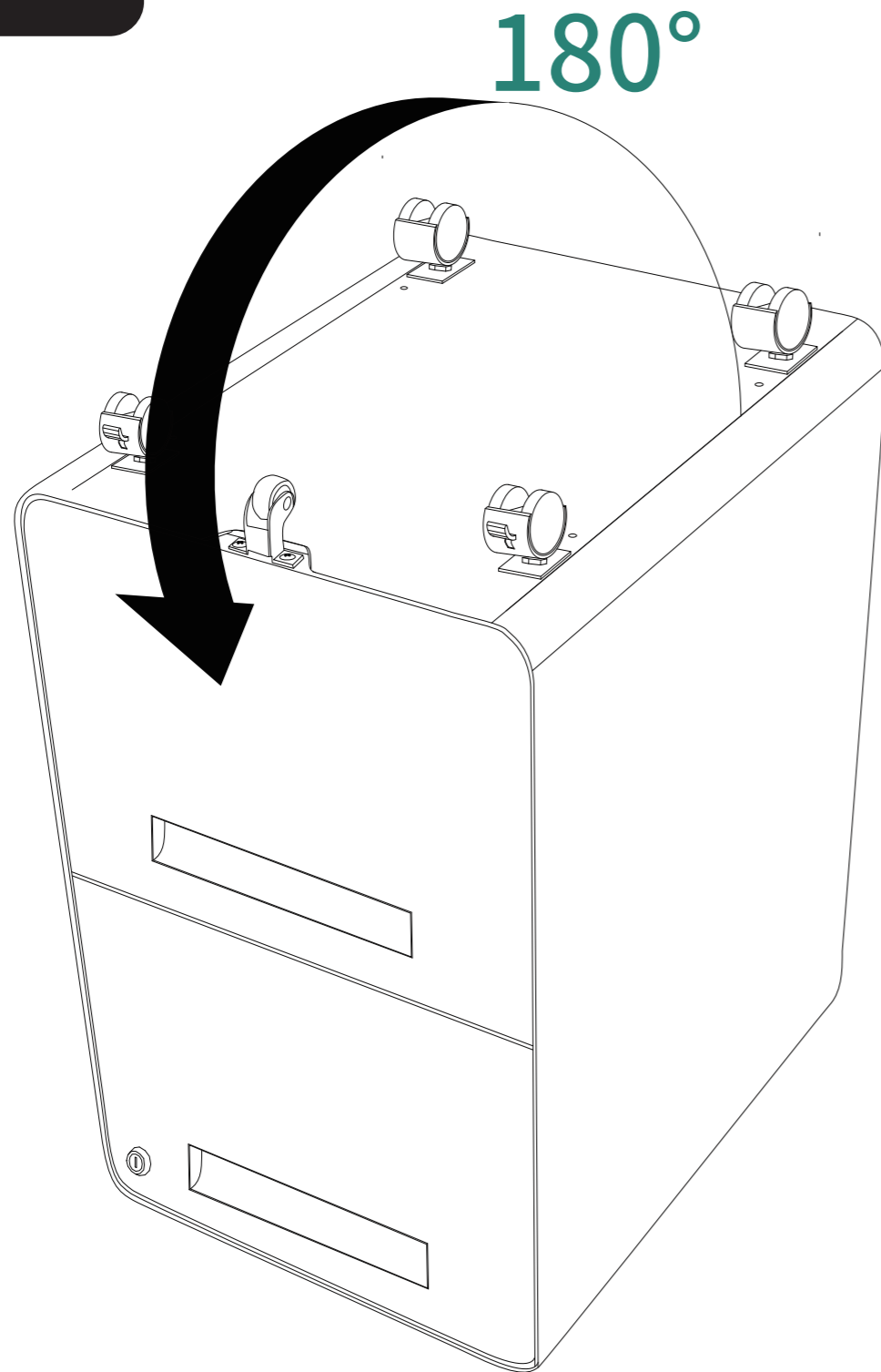
ⓑ2pcs

2 extra screws provided



4

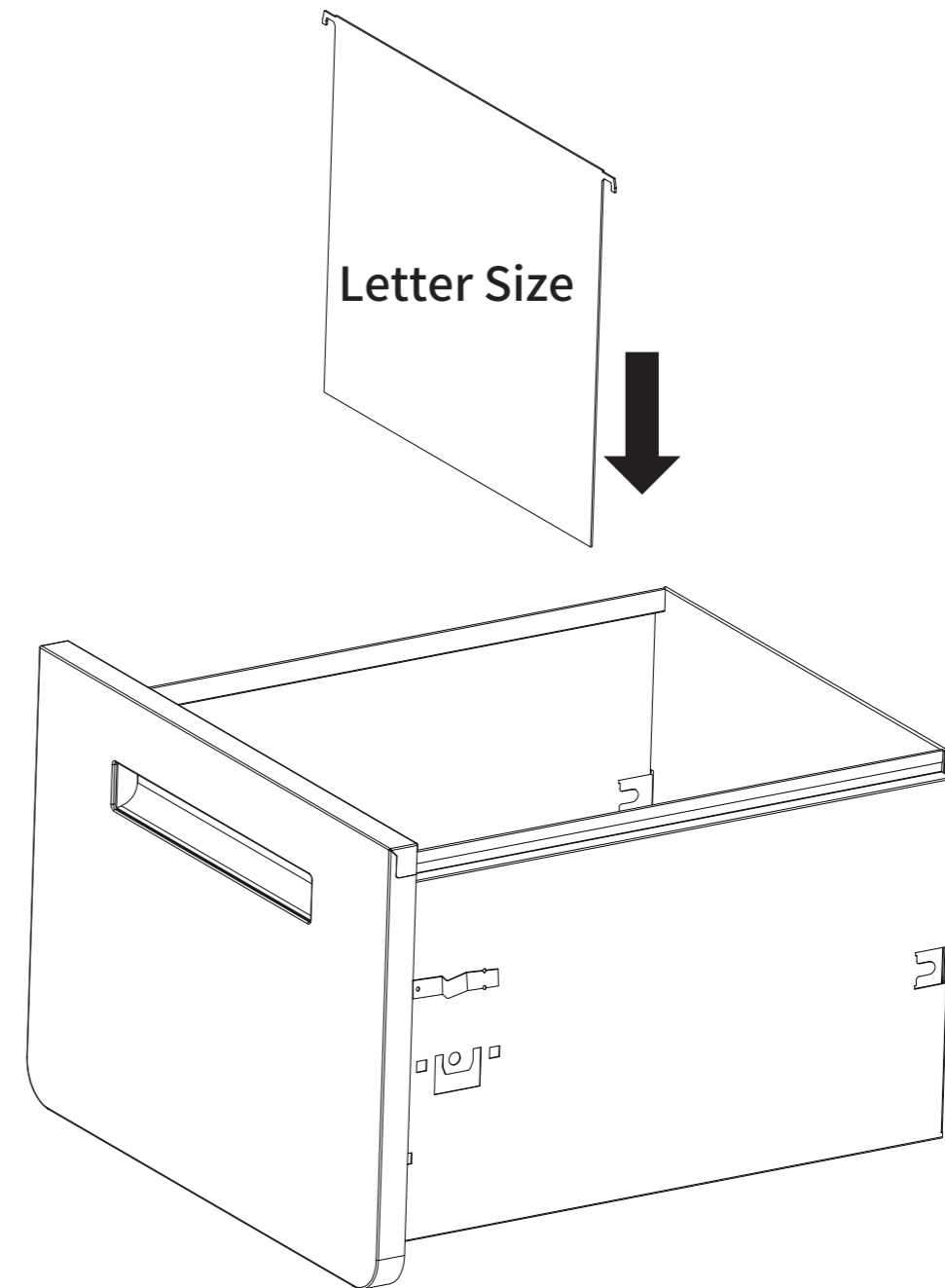
4



5

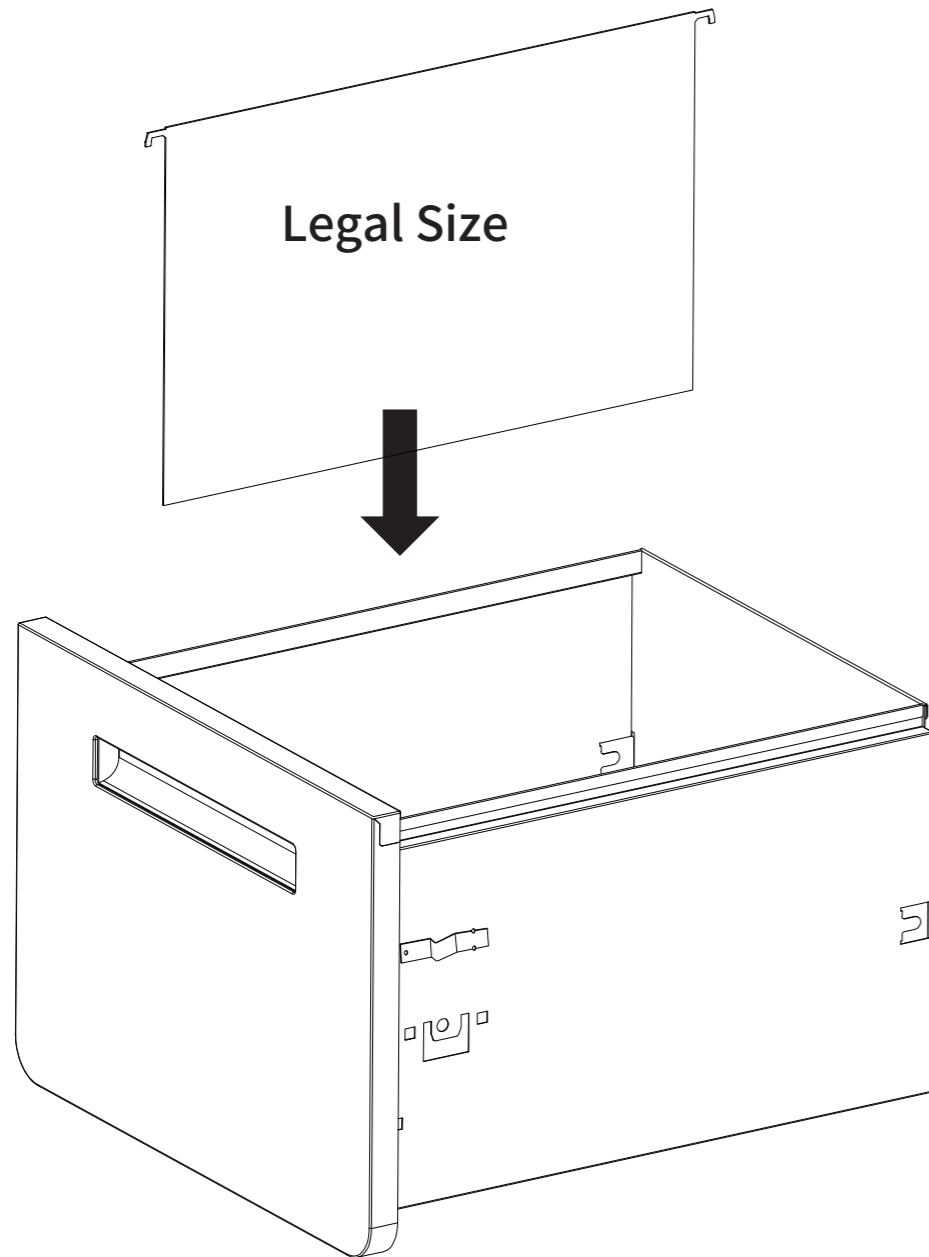
Instruction: 2 options available (Letter size , Legal size)

For Letter size file folders.

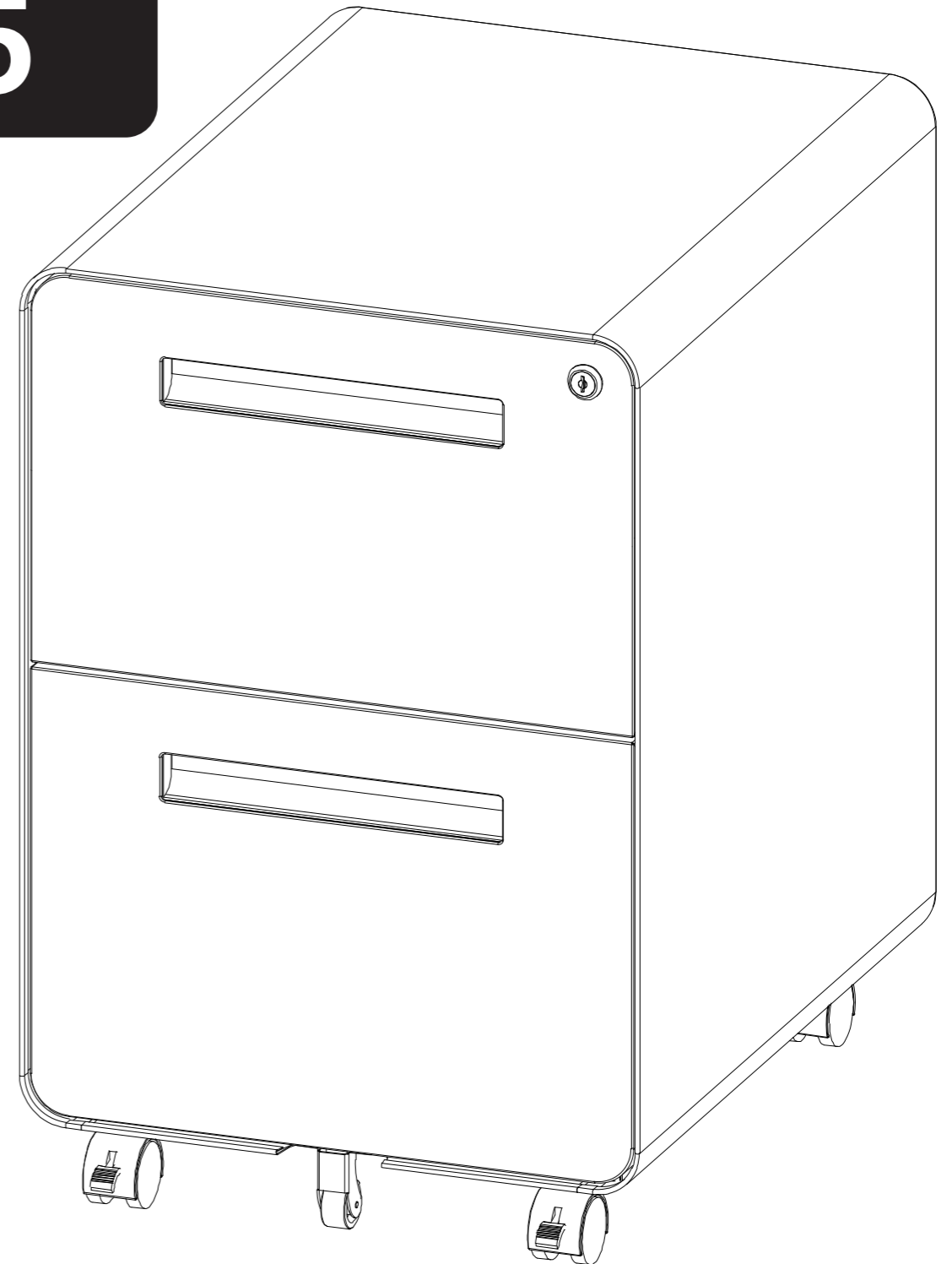


6

For Legal size file folders.



5



Installation Completed